

# Session 1

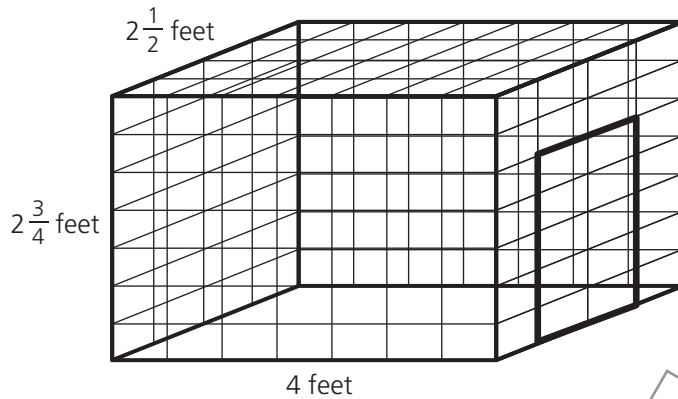
This session contains 30 multiple-choice questions. Fill in the circle for your answer to each question.

You may use a ruler and a protractor during this session.  
You may **not** use a calculator during this session.

Now turn the page and begin.

SAMPLE

15. Sarah bought the dog crate shown below for her dog.



What is the volume of this dog crate?

- (A)  $27\frac{1}{2}$  cubic feet
- (B)  $23\frac{4}{9}$  cubic feet
- (C)  $22\frac{1}{2}$  cubic feet
- (D)  $16\frac{3}{8}$  cubic feet
16. Which of the following shows two equivalent expressions?
- (A)  $2(m + 4n)$  and  $m^2 + 8n^2$
- (B)  $2r + 3s + 4r$  and  $6r + 3s$
- (C)  $5p - p + 1$  and  $6$
- (D)  $3(2q) + 7$  and  $6q + 21$

## Session 2

This session contains six multiple-choice questions and ten constructed-response items. Fill in the circle for your answer to each multiple-choice question. Write your answer for each constructed-response item.

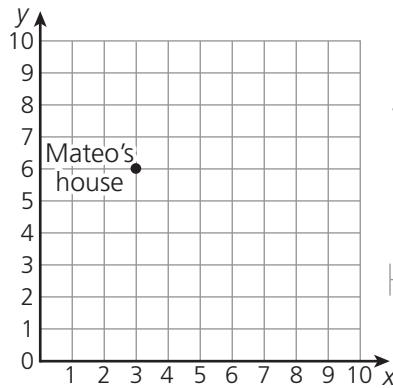
You may use a ruler and a protractor during this session. You may also use a calculator during this session.

Now turn the page and begin.

SAMPLE

Read each problem. Write your answer.

37. Mateo's house is shown on the coordinate plane below.



1 block

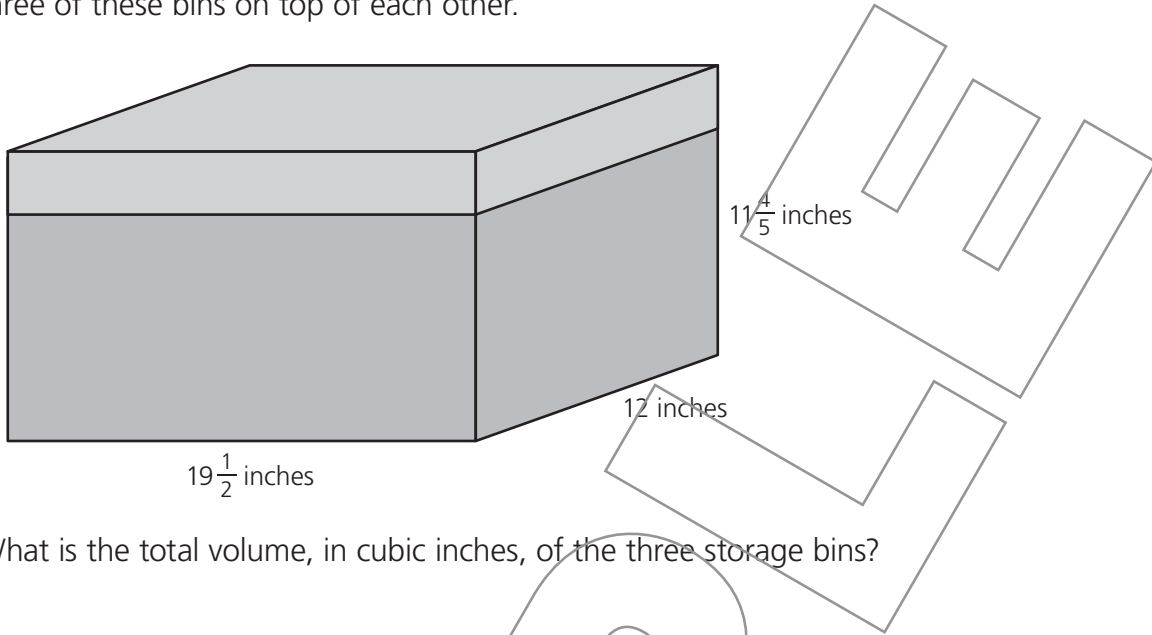
Mateo rides his bike to the park, which is located at (7, 8) on the coordinate plane. Then he rides to the library, which is 5 blocks south of the park. Plot and label the points for the park and the library on the coordinate plane.

38. Plot and label these points on the number line below.

- Point X is at  $-4.75$ .
- Point Y is at the opposite of  $-1.25$ .
- Point Z is at the opposite of the opposite of  $-2.5$ .



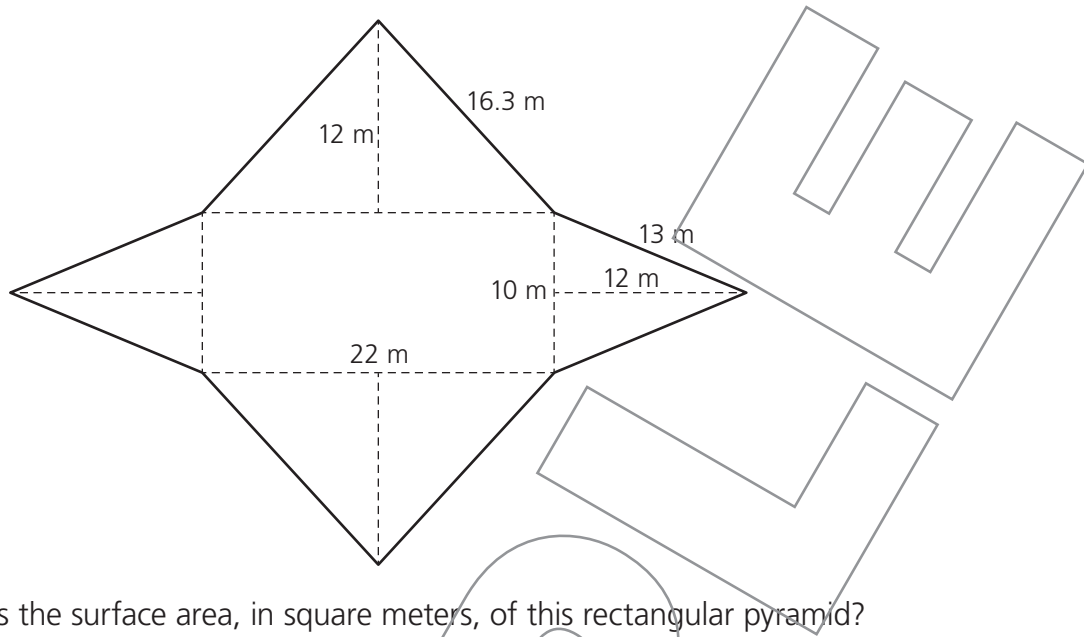
39. Miss Cam uses rectangular storage bins in her classroom. She stacks three of these bins on top of each other.



What is the total volume, in cubic inches, of the three storage bins?

**Answer** \_\_\_\_\_ cubic inches

40. Look at the net of a rectangular pyramid.



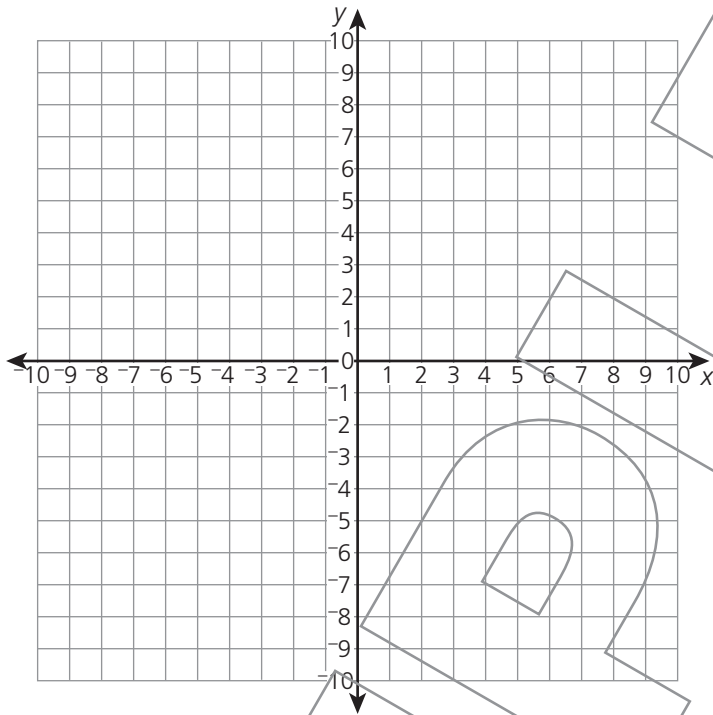
What is the surface area, in square meters, of this rectangular pyramid?

**Show your work.**

**Answer** \_\_\_\_\_ square meters

41. Look at the coordinate plane below.

Point  $A$  is at  $(-8, 5)$ . Point  $B$  is a reflection of point  $A$  across the  $x$ -axis.  
Plot and label points  $A$  and  $B$  on the coordinate plane.



***Explain how you know where to plot the points.***

---

---

---

---

---

---

---