

Session 1

This session contains 30 multiple-choice questions. Fill in the circle for your answer to each question.

You may use a ruler and a protractor during this session.
You may **not** use a calculator during this session.

Now turn the page and begin.

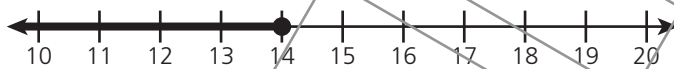
SAMPLE

7. A bottle contains $\frac{3}{8}$ gallon of vegetable oil. A recipe uses $\frac{1}{32}$ gallon of vegetable oil. How many batches of this recipe can Allan make using the oil in the bottle?

- (A) $\frac{3}{256}$
- (B) $1\frac{1}{2}$
- (C) 4
- (D) 12

8. Yesterday, Mike counted at least 14 cardinals in his backyard. If c is the number of cardinals Mike counted, which inequality and number line represent this situation?

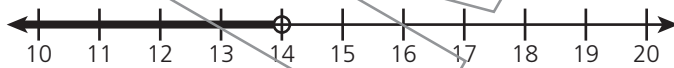
- (A) $c \leq 14$



- (B) $c \geq 14$



- (C) $c < 14$



- (D) $c > 14$



Session 2

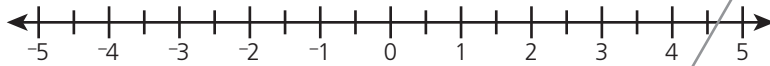
This session contains six multiple-choice questions and ten constructed-response items. Fill in the circle for your answer to each multiple-choice question. Write your answer for each constructed-response item.

You may use a ruler and a protractor during this session. You may also use a calculator during this session.

Now turn the page and begin.

SAMPLE

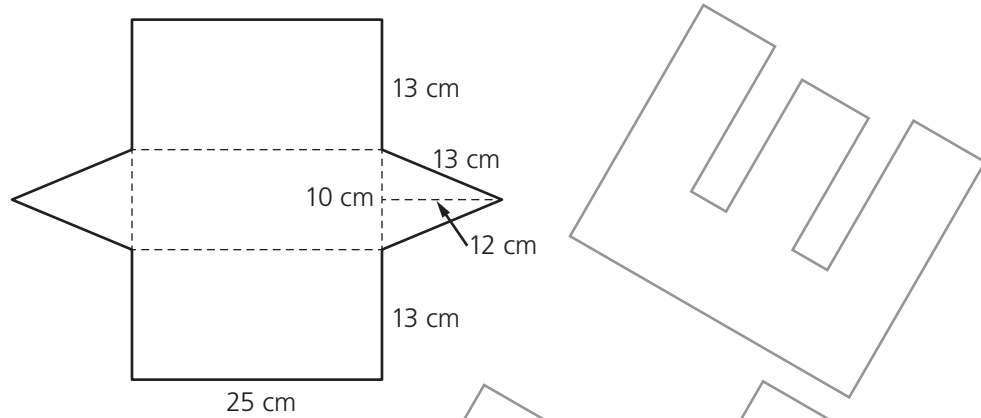
38. Point F is the opposite of 3.5. Point G is the opposite of the opposite of 2.25. Plot and label points F and G on the number line below.



39. Anton is flying to visit his grandparents. His large suitcase is 30 inches high, $20\frac{3}{5}$ inches long, and $11\frac{4}{5}$ inches wide. His smaller suitcase is 20 inches high, $13\frac{1}{2}$ inches long, and $7\frac{2}{5}$ inches wide. What is the total volume, in cubic inches, of Anton's two suitcases?

Answer _____ cubic inches

40. The net of a triangular prism is shown below.

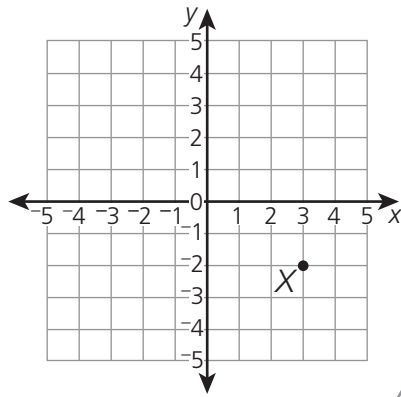


What is the surface area, in square centimeters, of the triangular prism?

Show your work.

Answer _____ square centimeters

41. Look at the coordinate plane below.



Point Y is a reflection of point X across the y-axis. How can you find the ordered pair of point Y and the distance between points X and Y on the coordinate plane?

Explain your answer.
