

Session 1

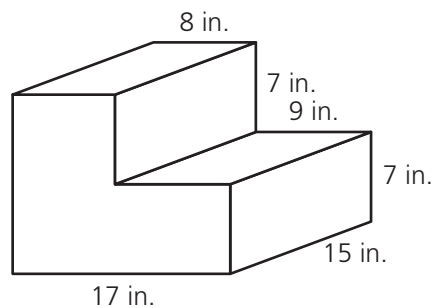
This session contains 30 multiple-choice questions. Fill in the circle for your answer to each question.

You may use a ruler and a protractor during this session.
You may **not** use a calculator during this session.

Now turn the page and begin.

SAMPLE

23. Ellie has these small pet stairs to help her dog get up onto her bed.



What is the volume of the pet stairs?

- (A) 1,449 cu in.
 - (B) 1,785 cu in.
 - (C) 2,625 cu in.
 - (D) 3,570 cu in.
24. Yuri's house is at 0 on the number line below.



Yuri rides his bike $\frac{3}{10}$ kilometer to the library. Then he rides $\frac{6}{10}$ kilometer in the same direction to reach the park. Which point on the number line marks where the park is located?

- (A) point A
- (B) point B
- (C) point C
- (D) point D

Session 2

This session contains five multiple-choice questions and nine constructed-response items. Fill in the circle for your answer to each multiple-choice question. Write your answer for each constructed-response item.

You may use a ruler and a protractor during this session. You may **not** use a calculator during this session.

Now turn the page and begin.

SAMPLE

40. Tali practiced gymnastics every day for a week. The amount of time she practiced each day is shown in the table below.

Day	Practice Time (hours)
Monday	$\frac{3}{4}$
Tuesday	$1\frac{1}{2}$
Wednesday	$\frac{3}{4}$
Thursday	$\frac{3}{4}$
Friday	$1\frac{3}{4}$
Saturday	$2\frac{1}{4}$
Sunday	$1\frac{1}{2}$

Make a line plot to show the data in the table.



What was the total amount of time that Tali practiced this week?

Answer _____ hours

42. The Chen family is driving to visit relatives in a different state. In the morning, they drive $175\frac{5}{6}$ miles. In the afternoon, they drive $210\frac{4}{9}$ miles. Then they stop at a hotel for the night. The total trip is $652\frac{7}{12}$ miles. How can you use benchmark fractions to estimate how many miles the Chen family has to drive the next day?

Explain your answer.

Find the actual number of miles the Chen family has to drive the next day.

Answer _____ miles

44. One of Jerome's favorite movies is $2\frac{4}{5}$ hours long. So far, Jerome has watched the movie $2\frac{1}{8}$ times. How many hours has Jerome spent watching the movie?

Show your work.

Answer _____ hours

Jerome streams a television show. It will take 12 hours to watch all the seasons of the show. Each episode is $\frac{1}{3}$ hour. How many episodes of the television show are there in all?

Show your work.

Answer _____ episodes