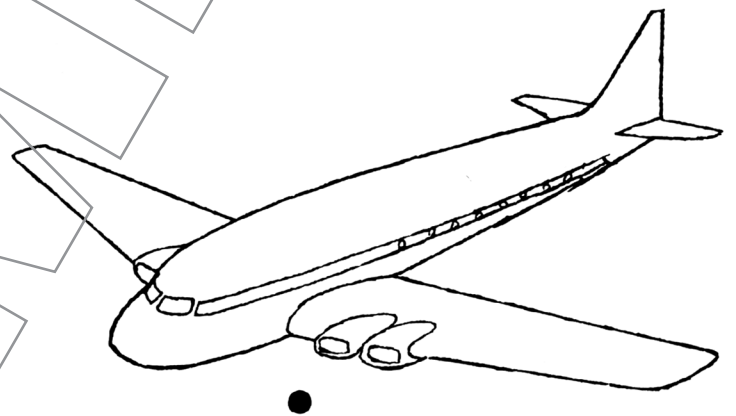
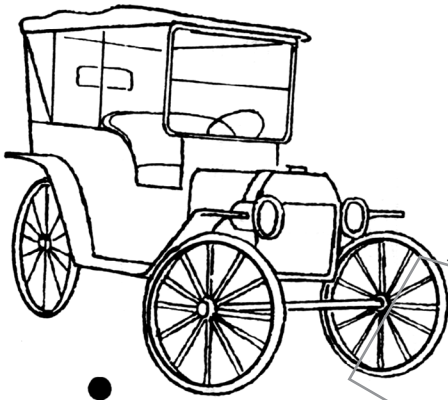
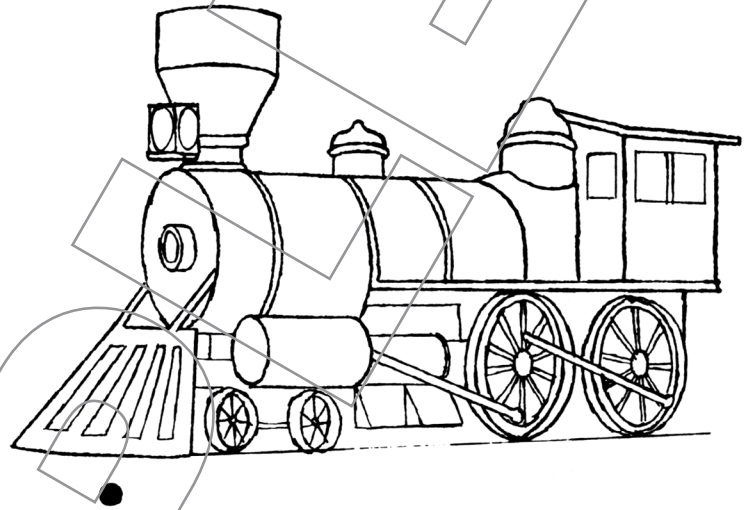
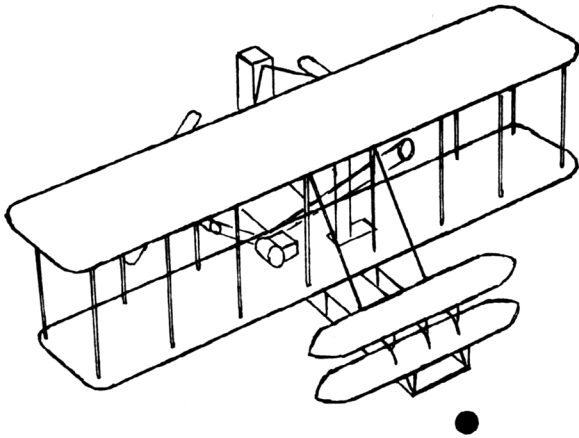




Trace the words.



Draw a line from each machine to its name.



1850s

1st

1903

1920s

1950s

steam
train

plane

car

jet