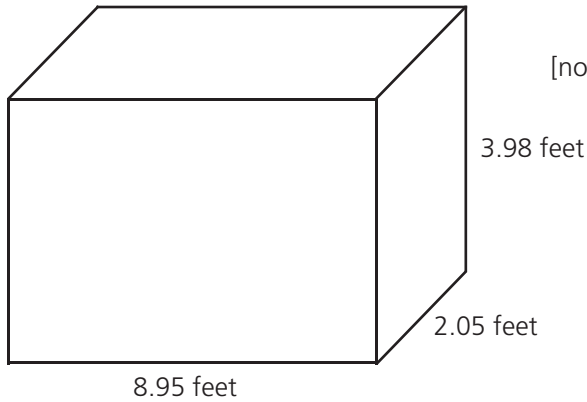


- 27** Which is the **best** estimate of the surface area of this rectangular prism?



$$\text{Surface Area of Rectangular Prism} = 2wl + 2lh + 2wh$$

- A** 92 square feet
- B** 112 square feet
- C** 124 square feet
- D** 144 square feet

- 28** The table shows the number of defective radios produced in a factory each day for 10 days.

RADIO PRODUCTION RESULTS

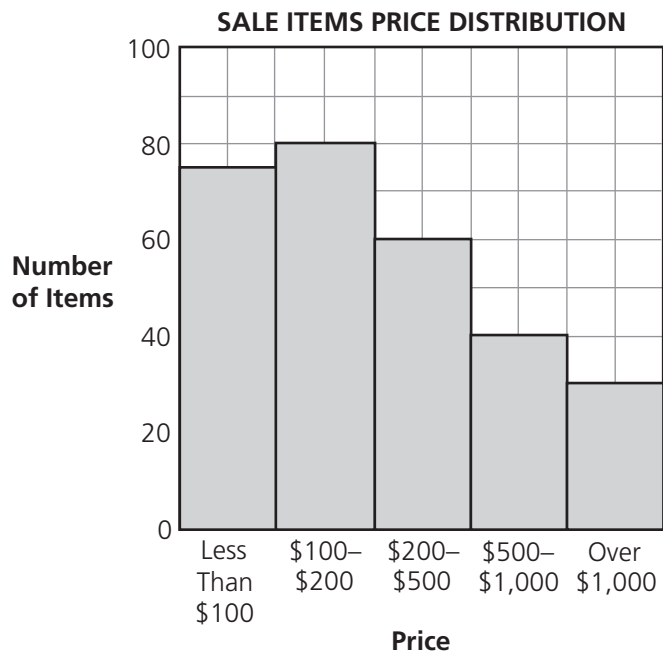
Day	1	2	3	4	5	6	7	8	9	10
Number of Defective Radios	2	0	1	0	1	53	2	0	1	3

Which statistic gives the **best** idea of the typical number of defective radios produced in a given day?

- A** mean
- B** median
- C** mode
- D** range

29

The histogram shows the price distribution of the items for sale at a furniture store.

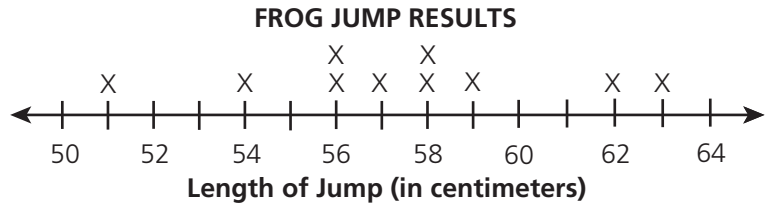


How many items in the store are priced at \$500 or more?

- A** 30
- B** 40
- C** 70
- D** 130

30

Bryan's frog made 10 jumps in a frog-jumping contest. The line plot shows the results.



According to this data, if Bryan's frog makes 1 jump, what is the probability it will jump more than 60 centimeters?

- A** $\frac{1}{10}$
- B** $\frac{1}{5}$
- C** $\frac{1}{4}$
- D** $\frac{1}{2}$